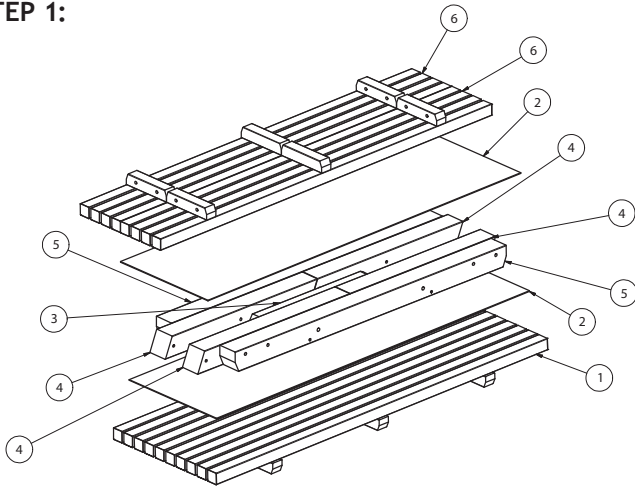


# Murray Picnic Table - ODF101

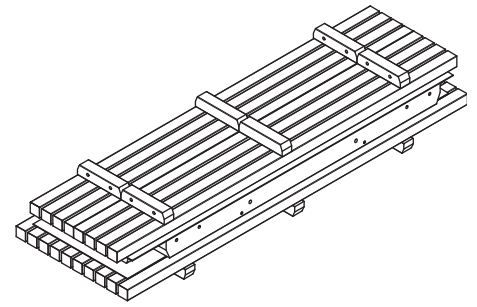
Assembly instructions



## STEP 1:

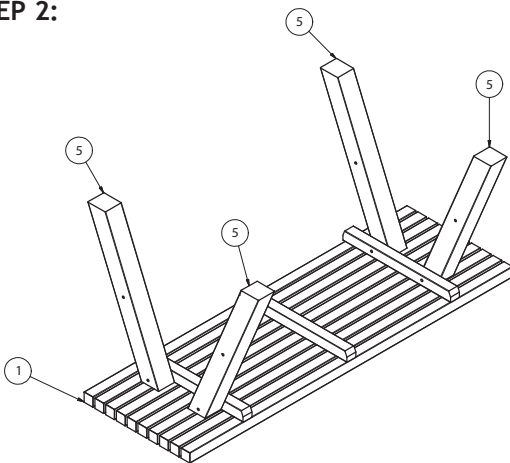


Flat packed table on arrival



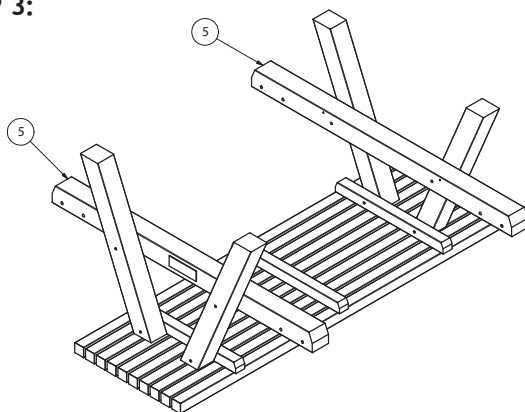
Place table top upside down on supplied packaging sheet, on flat surface.

## STEP 2:



To attach the legs, fit the M10x150 coach bolts supplied through the legs then table top. Tighten washer and nut 90% (to allow for final adjustment)

## STEP 3:



Fit main support members. Face label plate outwards and larger 14mm holes inwards on both. Use M10x170 coach bolt through legs into support member. Use washer and tamper proof nut and tighten to 90% to allow for final adjustment.

### Parts List - Per Table

Item	Qty	Assembly Name
1	1	Murray Picnic table top
2	2	Packing Sheet
3	2	Murray Picnic table brace
4	4	Murray Picnic table leg
5	2	Murray Picnic table main support
6	2	Murray Picnic table seat
7	4	M10x170 Coach bolt with washer and tamper proof
8	12	M10x150 Coach bolt with washer and nut
9	8	10Gx75 Phillips driver timber screw
10	4	14Gx125 5mm Hex drive timber screw

### TOOLS REQUIRED:

- Shifting wrench to tighten nuts.
- Drill, preferable cordless for tightening the screws in the internal stays.
- Hammer to knock through the bolts.

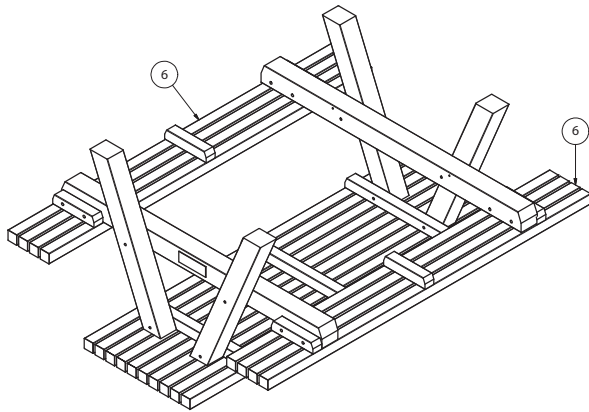


# Murray Picnic Table - ODF101

Assembly instructions

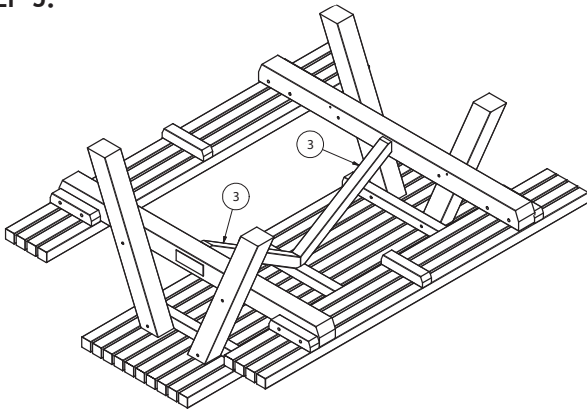


## STEP 4:



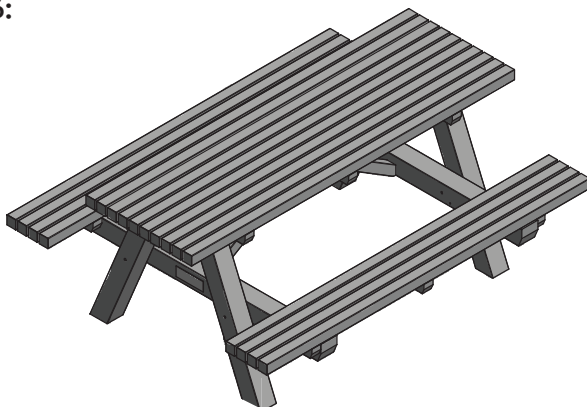
Fit seats using M10x150 coach bolts through seats into main support. Use washer and nut and tighten to 90% to allow for final adjustment.

## STEP 5:



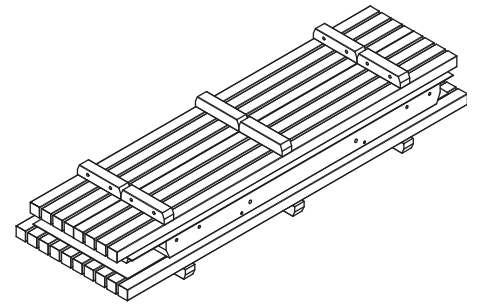
Fit braces. Position them from the centre of the table using the small cut back on braces towards the table top section. Back to back they will angle to main support. Use 10G x 75 screws to screw into place being careful not to push legs apart in the process.

## STEP 6:



Being careful not to damage the table, turn over, level and tighten all bolt connections. Finally use 14G x 125 screws to lock legs into main support. Your table is now complete, Enjoy.

Flat packed table on arrival



Parts List - Per Table		
Item	Qty	Assembly Name
1	1	Murray Picnic table top
2	2	Packing Sheet
3	2	Murray Picnic table brace
4	4	Murray Picnic table leg
5	2	Murray Picnic table main support
6	2	Murray Picnic table seat
7	4	M10x170 Coach bolt with washer and tamper proof
8	12	M10x150 Coach bolt with washer and nut
9	8	10Gx75 Phillips driver timber screw
10	4	14Gx125 5mm Hex drive timber screw

## TOOLS REQUIRED:

- Shifting wrench to tighten nuts.
- Drill, preferable cordless for tightening the screws in the internal stays.
- Hammer to knock through the bolts.

