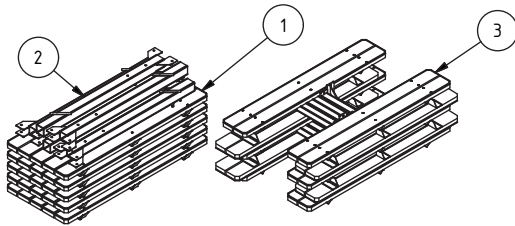
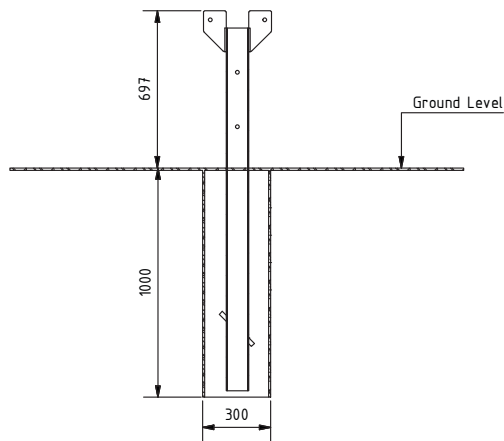


Installation instructions for WENTWORTH PICNIC TABLE

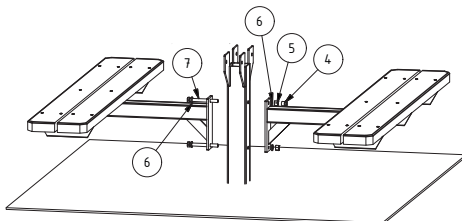
Flat pack on arrival



STEP 1: Dig hole 300mm round 1000mm deep. Concrete main post into hole ensuring top of mount plate is 697mm above ground level.



STEP 2: Align and put Bolts through seat frame post then other seat frame. Tighten using nuts then use anti theft nuts supplied



Parts List - Per Sleeve		
1	Table Top	1
2	Main Stem	1
3	Seat	4
4	M16 Anti theft Nut	4
5	M16 Nut	4
6	M16 Washer	4
7	M16 Bolt	4

TOOLS REQUIRED:

- Shifting Wrench to tighten nuts
- Hammer to assist bolts through frame

STEP 3: Lift table top into place. Table will balance on top of Post to allow for bolts to be aligned. Use anti theft nuts on all bolt connections

